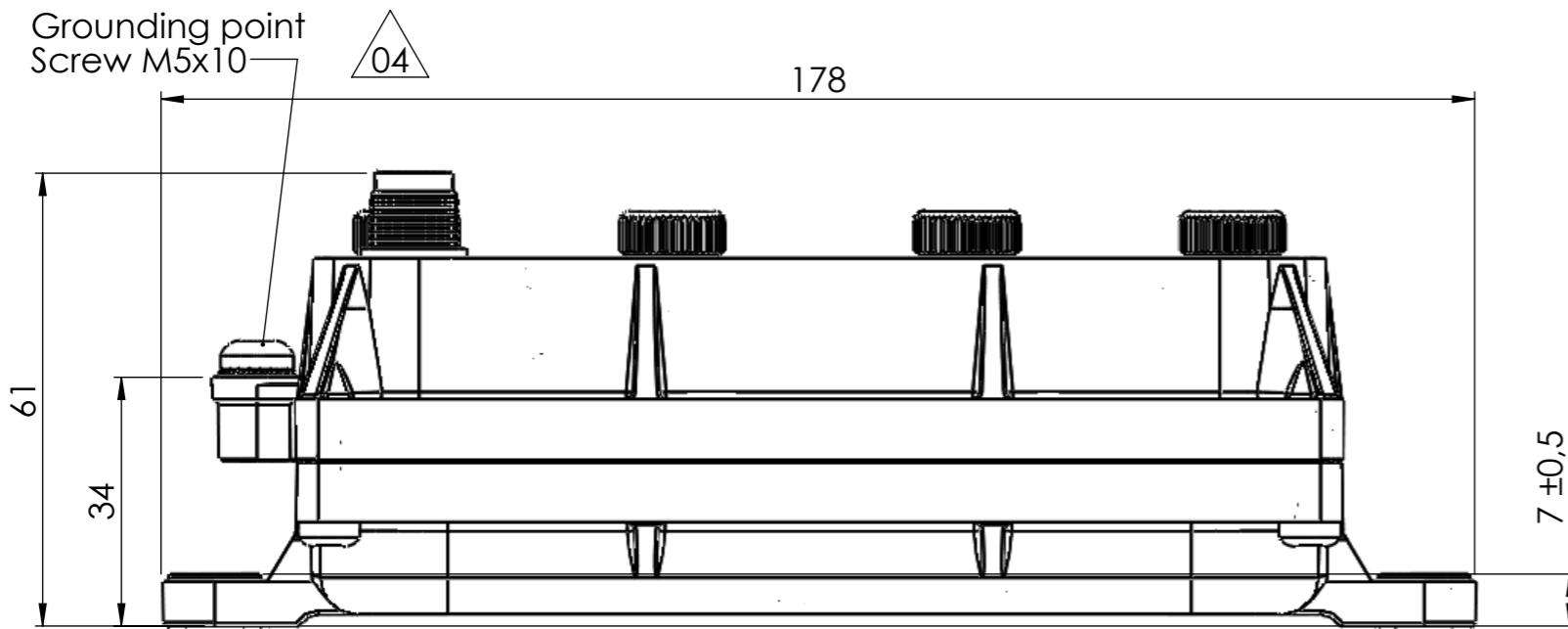
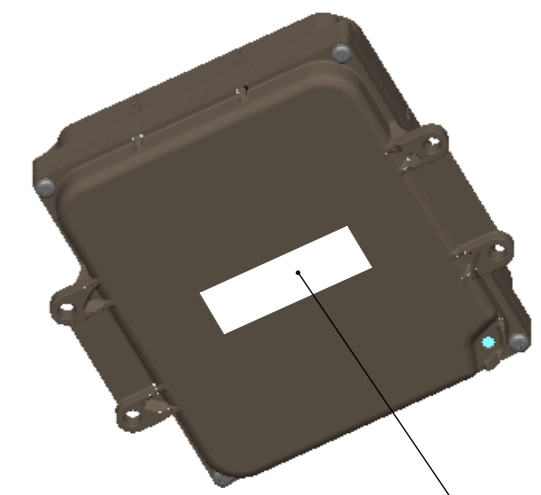
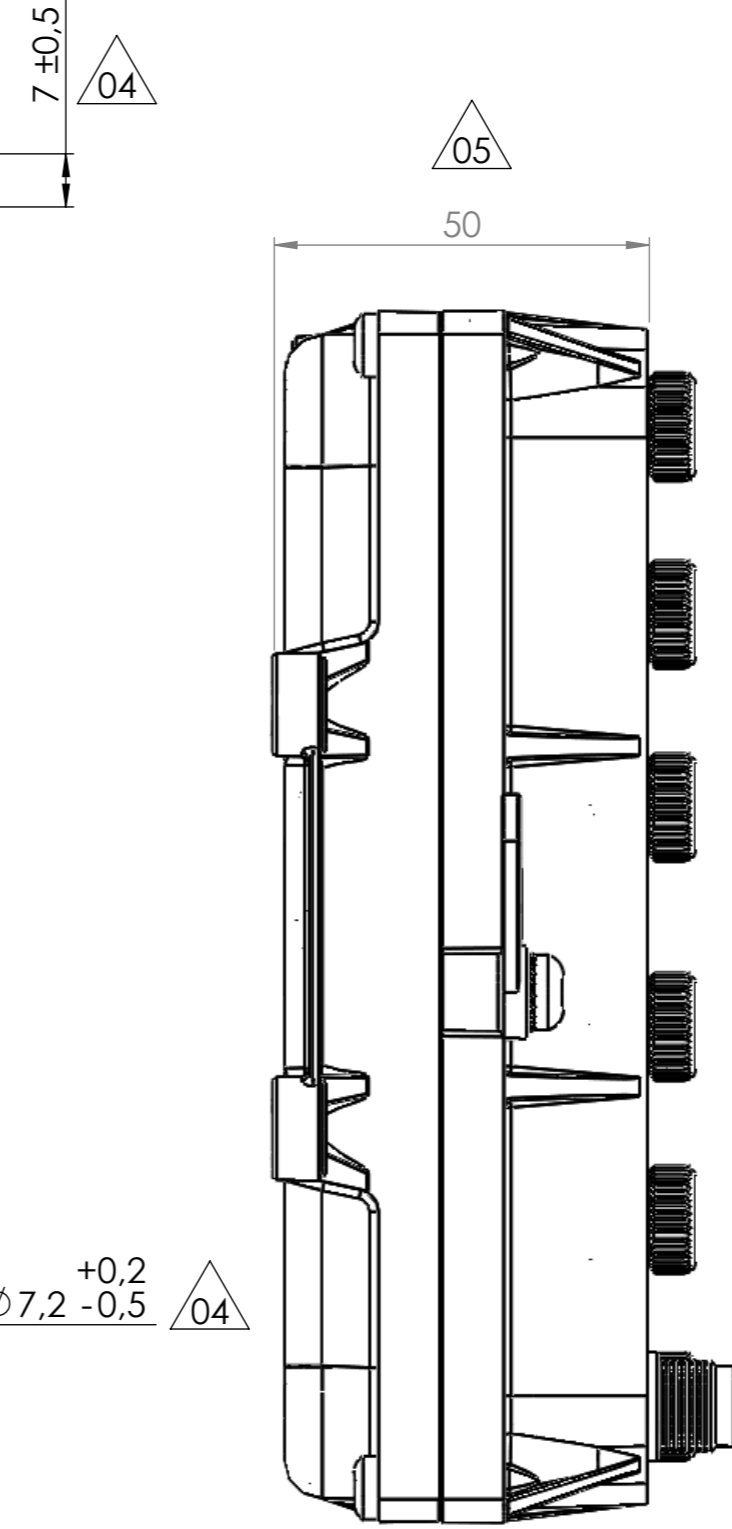
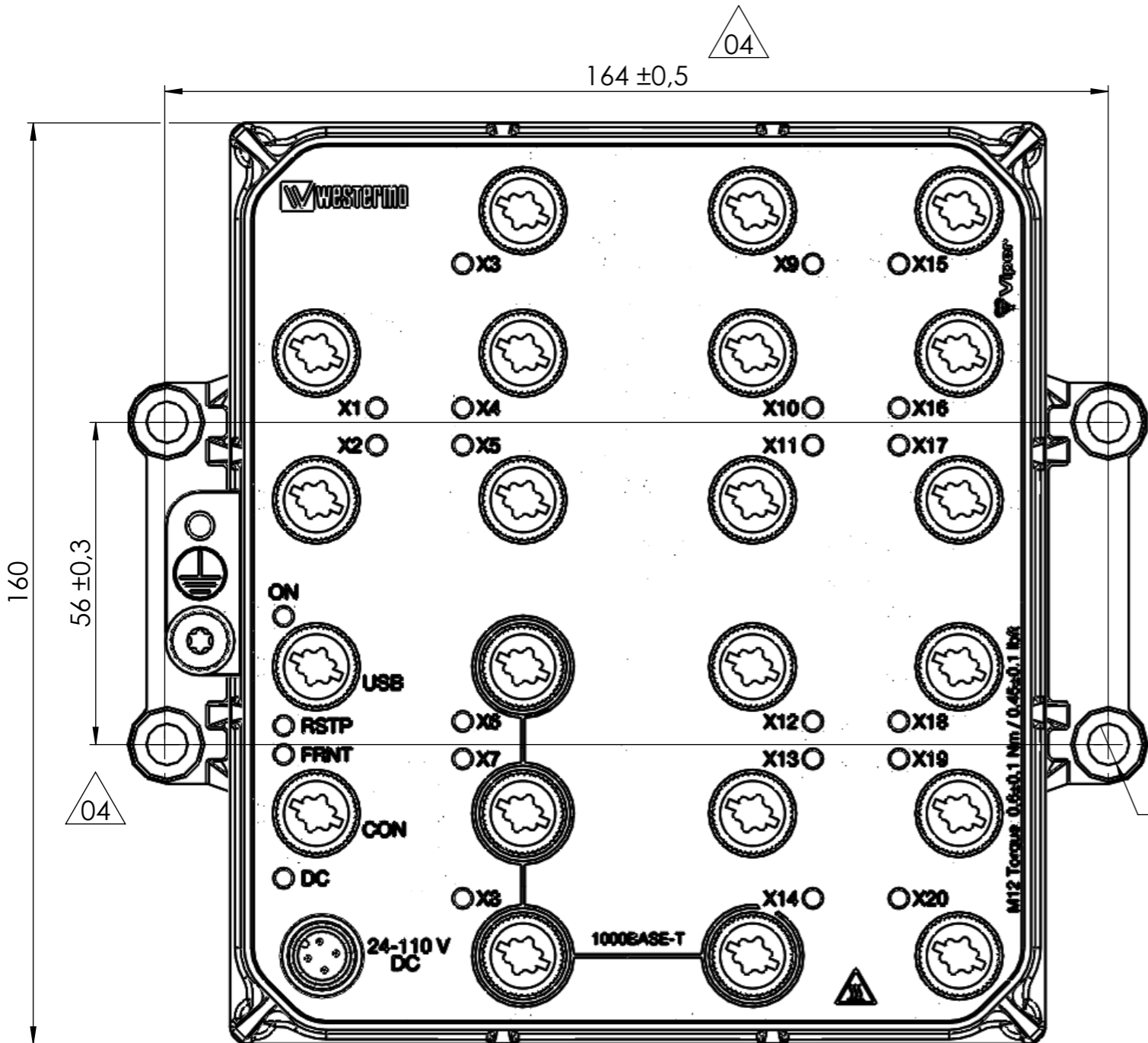


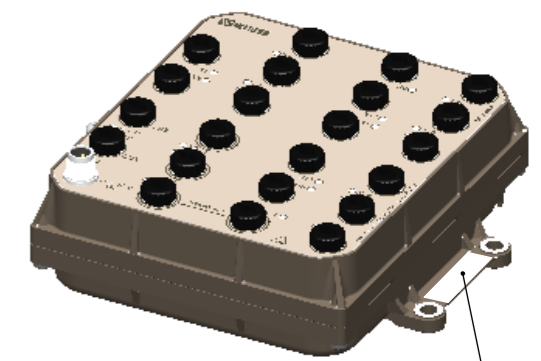
Grounding point  
Screw M5x10



REVISIONS				
Rev	Description	Designer	Approved	Date
01	Created	KTN	KLN	2016-08-15
02	Label information added; DIM 7.2 tolerance added, "Units in millimeter" text added	KTN	KLI	2016-10-11
03	DC was PWR	KTN	KLN	2016-11-16
04	Grounding point info added, Tolerances added	KTN	KLN	2017-08-14
05	New View	KTN	KLI	2018-06-29



Label: P/N, Type, Power, MAC, S/N, QR-code



Label: Product name, P/N, S/N, QR-code

Units in millimeter (mm)

© 2017 WestermoR&D All rights reserved

Material/Notes		Notes		Tolerance ±1mm	
		Denomination <b>Viper 220A-T4G</b>		Designer KTN	Approved KLN
Drawing No. 3635-1220-UD-05		Date 2016-07-21		Scale 1:1	Sheet 1(1)
				Status Approved	